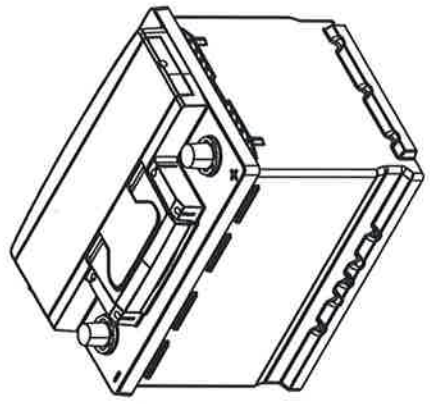
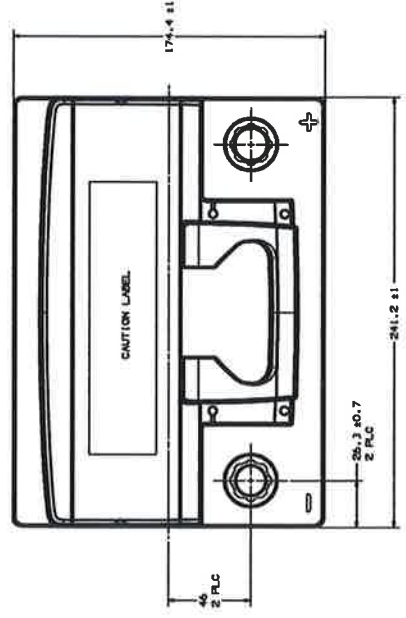


DATE	REV	DESCRIPTION

APPROVAL SIGNATURE: \_\_\_\_\_  
 DATE: \_\_\_\_\_

上海JCI工程部核准章  
 日期: 2016.3.21  
 日期: 3/21/2016

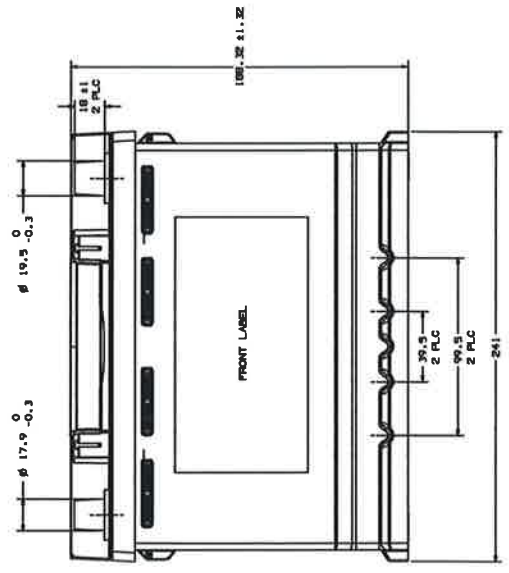
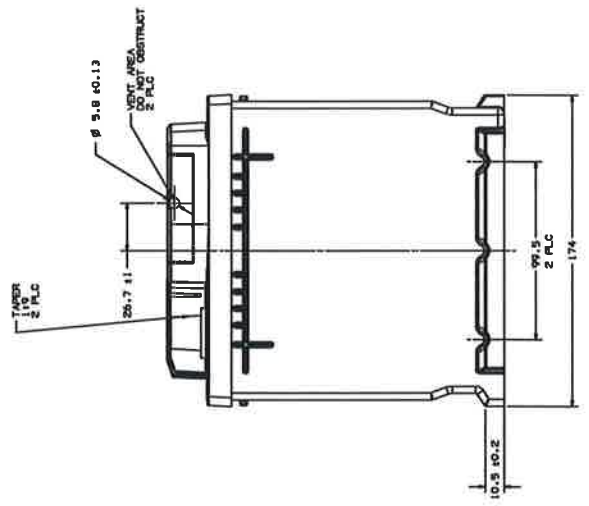
TOP VIEW DIMENSION ARE FROM EDGE OF COVER



SCALE 3:1

APPLICATION DATA

CAT. NO. 6-0B-6015B01-L \_\_\_\_\_ 12 \_\_\_\_\_ VOLTS  
 GROUP SIZE: 6C \_\_\_\_\_ JIS \_\_\_\_\_ EN 55  
 PERFORMANCE RATINGS:  
 RESERVE CAPACITY AT 27 °C: MINUTES \_\_\_\_\_  
 COLD CRANKING AMPERES AT -18° C: \_\_\_\_\_ 580 \_\_\_\_\_ AMPS  
 20 HOUR RATE: AMP HR \_\_\_\_\_ 60 \_\_\_\_\_ AH  
 RECOMMENDED MAXIMUM CHARGING OR OPERATING TEMPERATURE \_\_\_\_\_ °C  
 INSTALLATION INSTRUCTIONS:  
 RECOMMENDED TERMINAL TORQUE SPECIFICATIONS:  
 TOP TERMINAL POST \_\_\_\_\_ 5.6-7.9 (N-m)  
 RECOMMENDED RETAINER TORQUE SPECIFICATIONS:  
 BASE CLAMP \_\_\_\_\_ 15.0-20.0 (N-m)  
 TOP BAR/FRAME \_\_\_\_\_ 2.3-5.5 (N-m)



UNLESS OTHERWISE SPECIFIED  
 ALL DIMENSIONS ARE IN MILLIMETERS  
 DIMENSIONS IN PARENTHESES ARE  
 THE PREFERRED DIMENSIONS  
 UNLESS OTHERWISE SPECIFIED  
 FINISHES: 1. 0.3  
 2. 0.15  
 UNLESS OTHERWISE SPECIFIED

Johnson Controls  
 30033634

DATE	REV	DESCRIPTION

15 RW OUTLINE  
 30033634